

Ultrasonic SOLID STATE FLOAT™ Liquid Level Switch, 316LSS



LL-10 SERIES

The SOLID STATE FLOAT™ LL-10 Series Liquid Level Switch, is a direct replacement for mechanical float type liquid level devices that employs **proven ultrasonic technology** and solid state integral electronics. The SOLID STATE FLOAT™ provides reliable operation in virtually any liquid and eliminates failures due to finite mechanical life inherent in the mechanical float design. With fully epoxy sealed electronics, combined with ultrasonic sensing technology, the SOLID STATE FLOAT™ is designed for **years of maintenance-free service**. The LL-10 Series offers a variety of outputs. Cosense will also **customize special versions** of the LL-10 Series.

Standard Features

- High pressure up to 1000 PSIG (6895 Kpa)**
- Output: Relay output, 1 amp SPST (NO, C) sink & source current - STD**
- No moving parts, easy to install
- Input 5VDC to 30VDC
- Digital Filter Techniques Enhance Performance**

Optional Features

- 3.3 volt input power**
- Electropolishing**
- Higher temperature up to 212°F (100°C)**
- Two Wire Loop Power**
- Relay Output, 1 Amp SPST (NC, C)**

■ Consult Factory For Price & Delivery

HOW TO ORDER

PART NO.	SENSOR MOUNTING	SENSOR MATERIAL	ELECTRONICS INPUT	ELECTRONICS OUTPUT
10020	3/4" NPT	316LSS	5VDC-30VDC	1 AMP SPST Relay (NO, C)
10022	3/4" NPT	316LSS	5VDC-30VDC	Sink
10023	3/4" NPT	316LSS	5VDC-30VDC	Source

SPECIFICATIONS

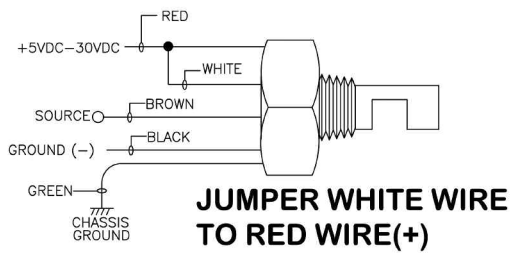
- Repeatability:** 2mm or better
- Delay:** 0.5 seconds
- Input Power:** 5 VDC to 30VDC
- Leakage Current:** Less than 50 uA
- Outputs:** **Source-** 100mA max STD (standard)
Sink- 100mA max STD (standard)
Relay Output- 1 amp SPST (NO, C)
- Protection:** Transient, reverse polarity
- Sensor :** 316LSS
- Temperature:** -20°F to +160° F (-29°C to +71°C)
- Pressure:** Up to 1000 psig (6895 Kpa)
- Mounting:** 3/4" NPT STD (for flanges, consult factory)
- Cable Length:** 12" (305mm) (for longer lengths, consult factory)

APPLICATIONS

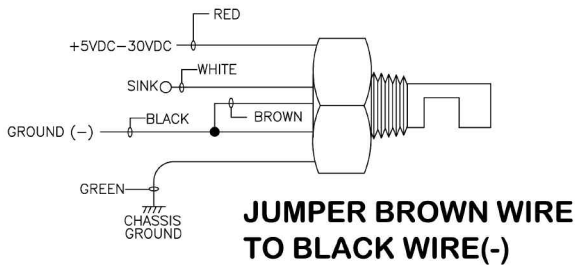
- Pump Protection**
- Storage Tanks**
- Compressors**
- Hydraulic Supply Lines**
- Oil Film Detection**
- Coolant Reservoirs**
- Boiler Water Cutoff**
- Sewage Systems**
- Pipe Lines**
- Hydraulic & Lube Reservoirs**
- Chillers**
- Medical/Laboratory Equipment**

TYPICAL WIRING DIAGRAM

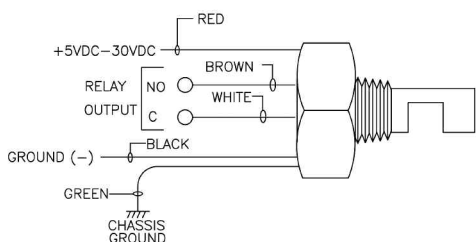
SOURCE OUTPUT



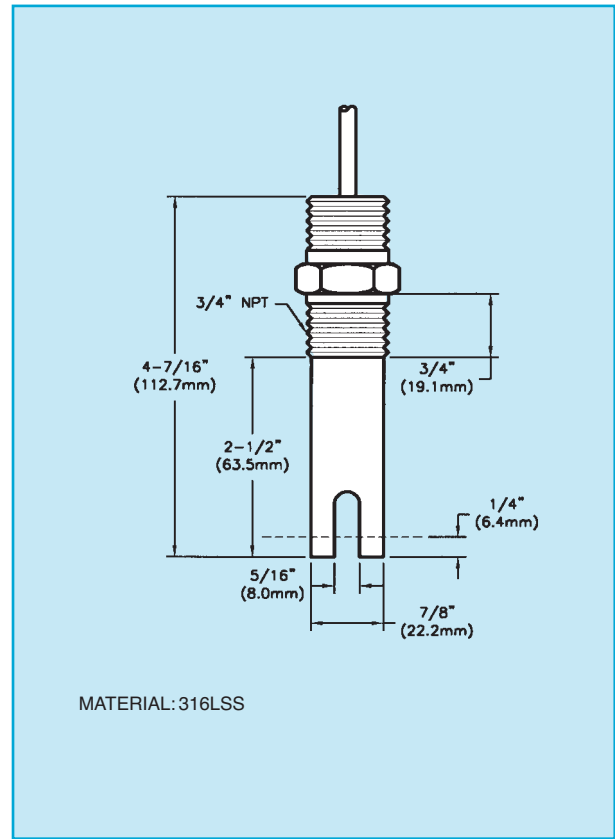
SINK OUTPUT



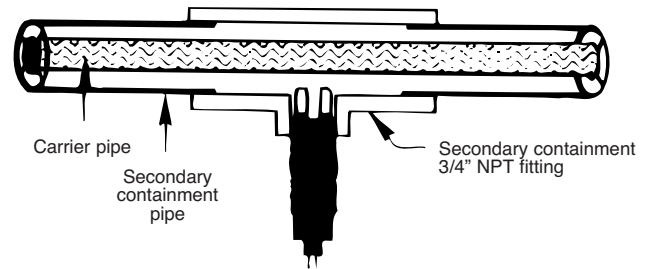
RELAY OUTPUT



DIMENSIONAL DRAWINGS



SECONDARY CONTAINMENT PIPING SYSTEMS



WARRANTY

Cosense equipment is warranted against intrinsic defects for a period of two years from the date of shipment.
 Specifications to change without notice.



155 Ricefield Lane
 Hauppauge, New York 11788-2007
 631-231-0735 Fax: 631-231-0838
 email: sales@cosense.com
 www.cosense .com